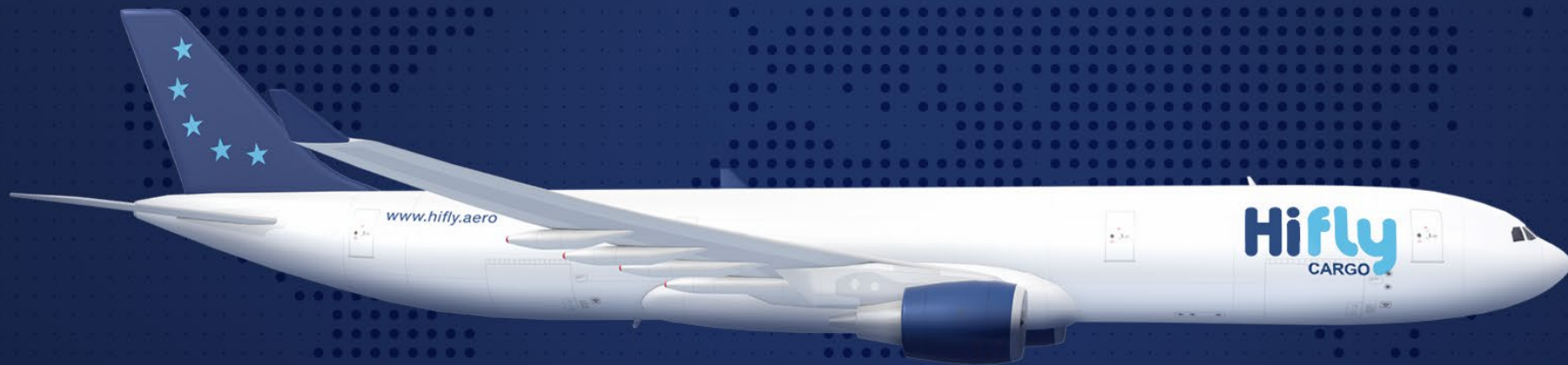


Hifly
CARGO

Airbus A330-300

9H-HFI



Max
Range

7.093 km



Volume
Capacity

139 m³



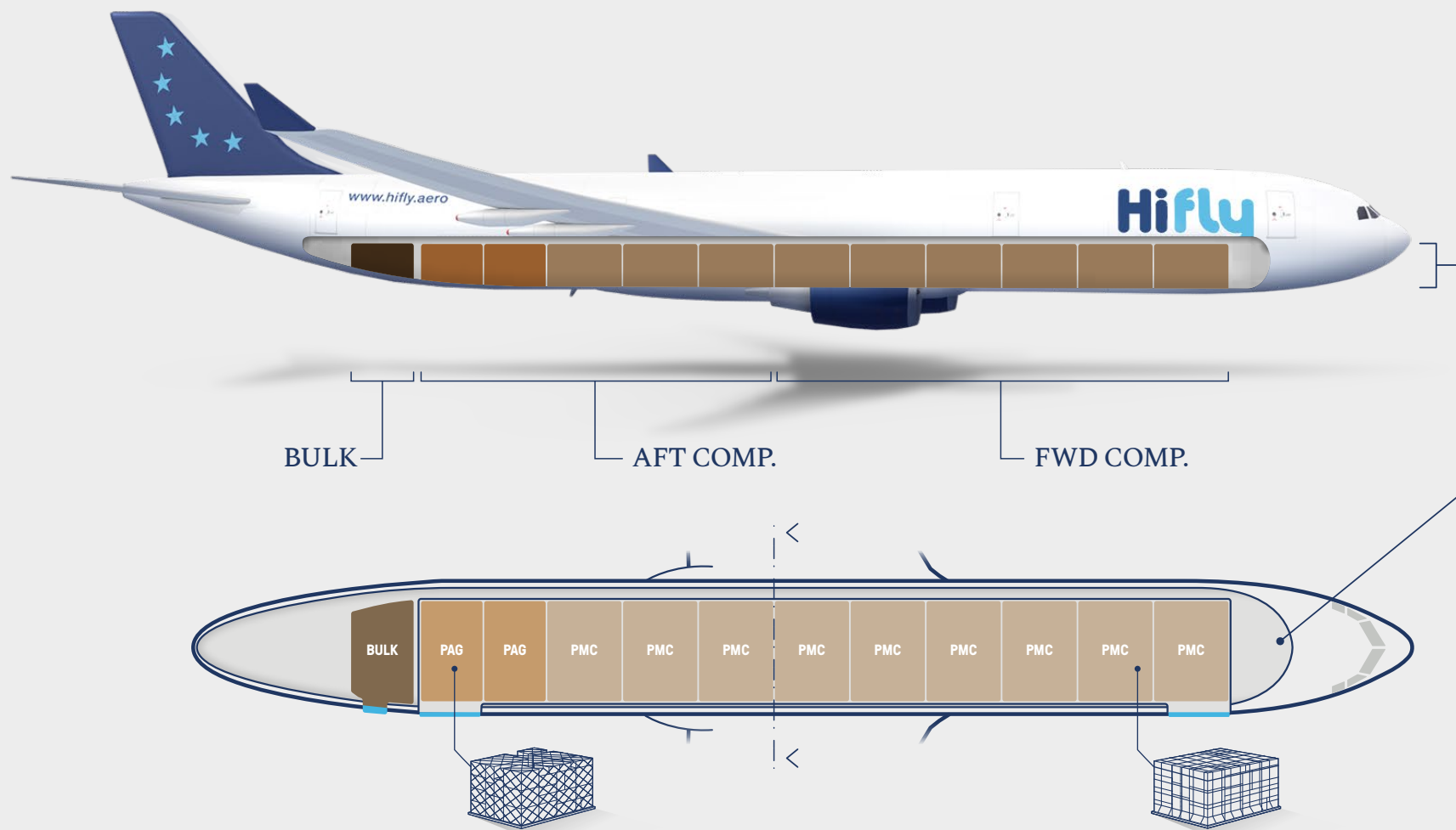
Max Cargo
Capacity

44.800 kg



ETOPS

180 min

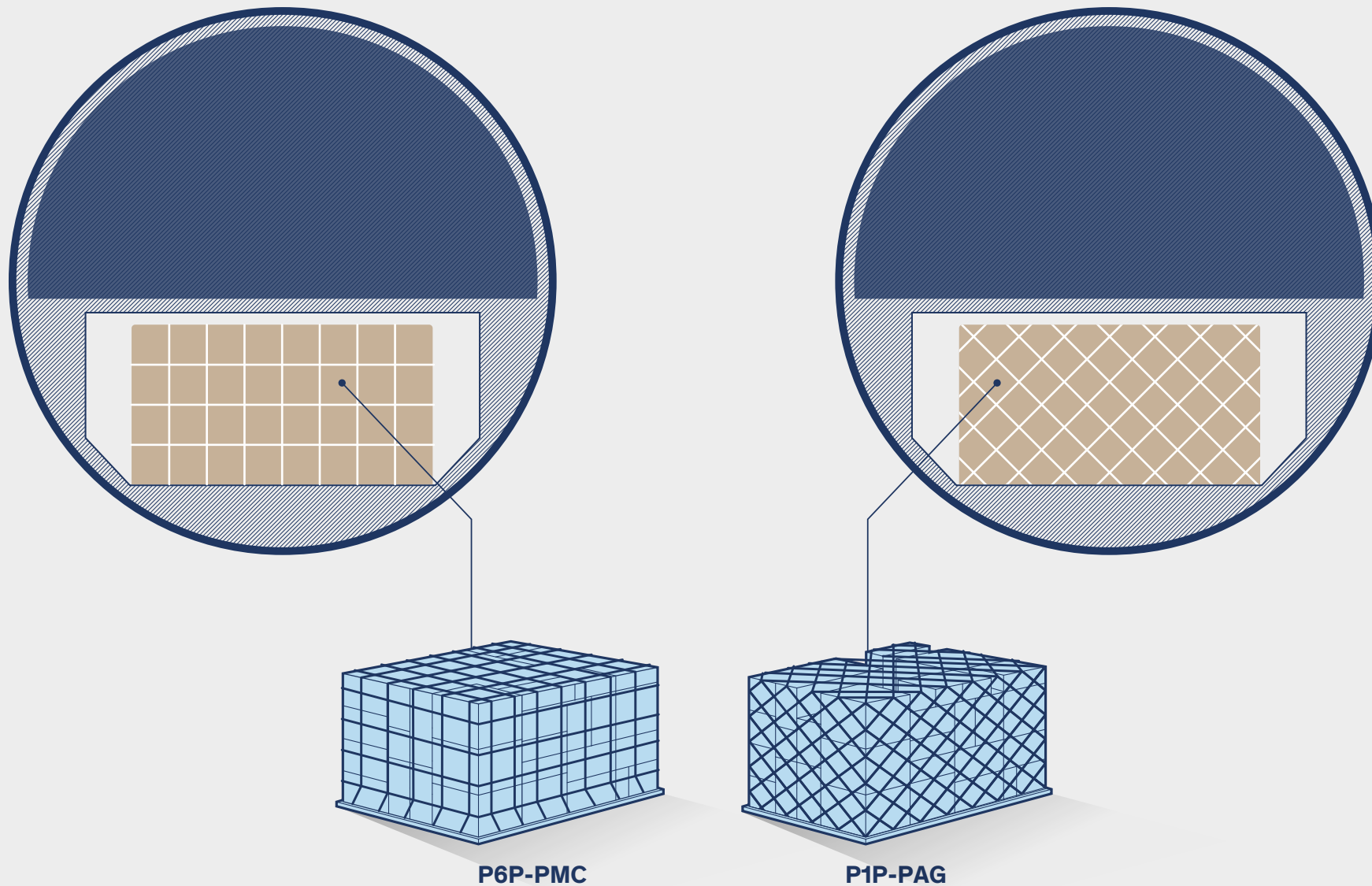


FWD COMP.	AFT COMP.	BULK	TOTAL CARGO
6 PMC (66 m ³)	3 PMC + 2 PAG (53 m ³)	20 m ³	139 m ³

DISCLAIMER

Furthermore, to support the aircraft maintenance and operation, on most flights the carrier might need to carry one FAK (FLY AWAY KIT) AKE container that contains spare parts, tools and consumables. This will further reduce the space available for cargo by 6.5 m³. The price quoted for your flight does not depend on the actual volume carried.

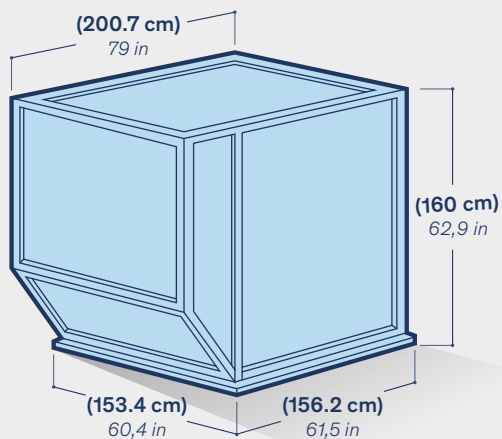
CARGO COMPARTMENT



CONTAINER

AKE-LD3

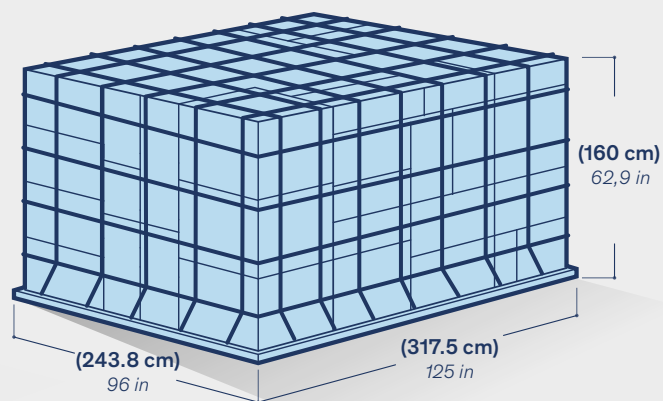
Max Volume	4,5 m ³
Max Weight	1.560 kg



PALLETS

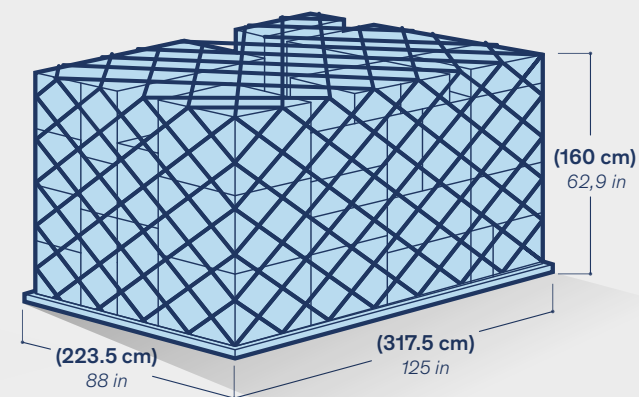
P6P-PMC

Max Volume	11 m ³
Max Weight	5.100 kg



P1P-PAG

Max Volume	10 m ³
Max Weight	4.636 kg





Hifly
CARGO

FOR CARGO INQUIRES

+351 211 143 680

sales@hifly.aero

FOR URGENT REQUESTS

OUTSIDE BUSINESS HOURS

PLEASE CONTACT HI FLY OCC

+351 211 143 510

cco@hifly.aero

CARGO DEPARTMENT

cargo@hifly.aero

ADDRESS

Latino Coelho nr 1, Hi Fly Building

1050-132 Lisbon - Portugal